

XD9

MINI PILING RIG



XD9

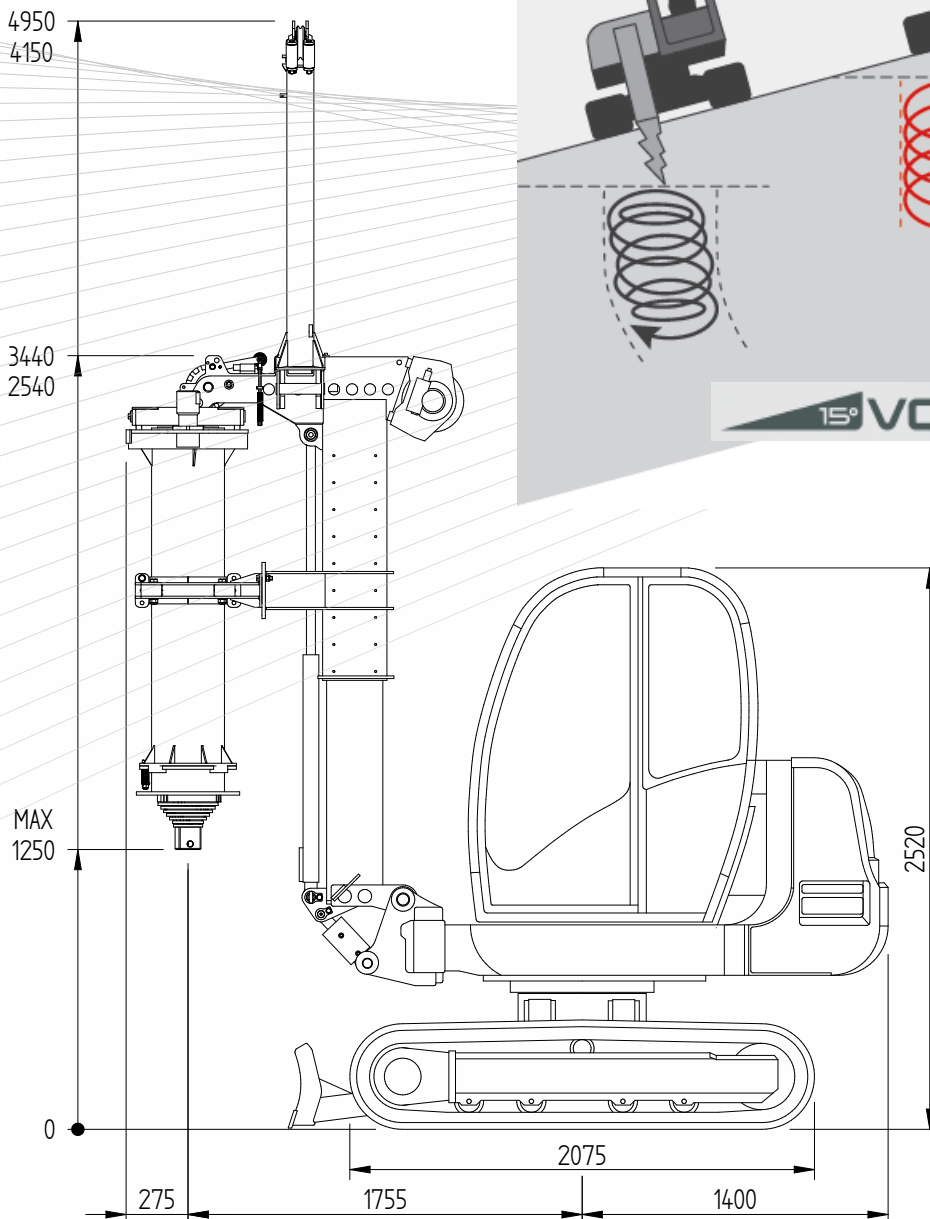
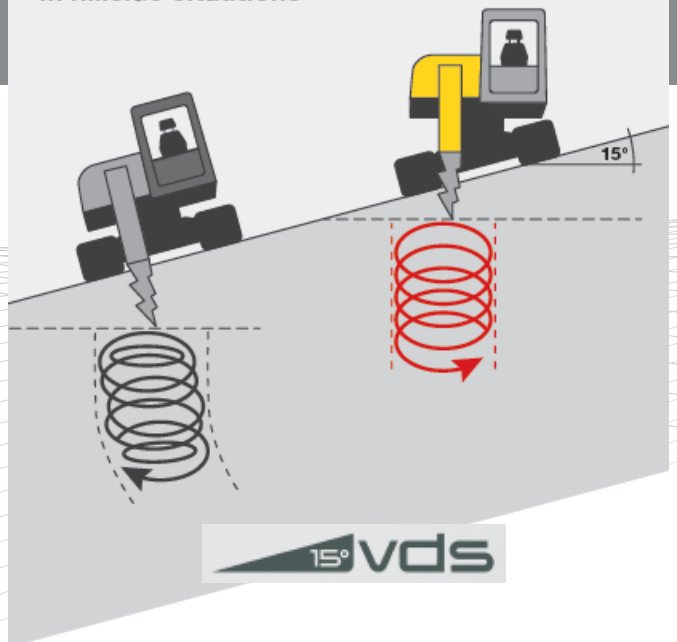
MINI PILING RIG

XD series machines are the smallest hydraulic piling rigs in the world. They are designed to work in extremely tight spaces, limited headroom, and jobsites difficult to access for any other standard piling rig. The minimum working height is 2.8 m (9.2') and the width 1.62 m (5.3').

Despite the compact size, the XD series is equipped with all the features of larger rigs, such as depth meter, spin off speed, auxiliary winch and winch limit switches.

The always perfect verticality is guaranteed by the combination of the movements secured by the VDS Vertical Digging System, the blade and the hydraulic cylinder that tilt longitudinally the mast. A hydraulic cylinder and the interlocking Kelly bar provide the crowd force necessary to overcome harder soils.

Precise guidance of the drill in hillside situations

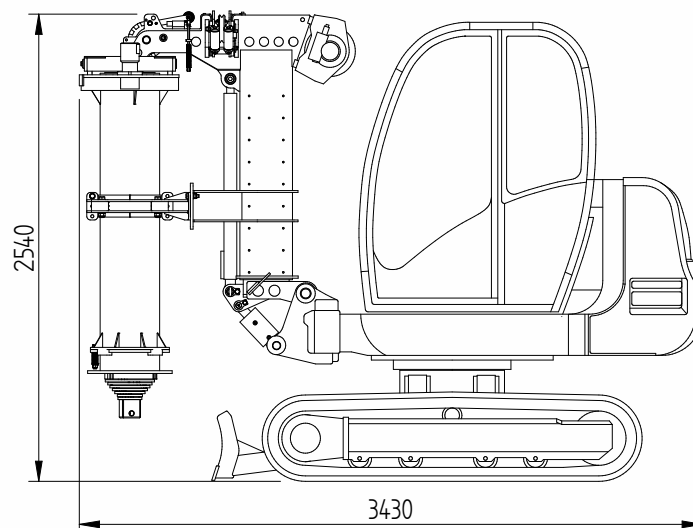


XD9

TECHNICAL DATA SHEET

BASE		WAKER NEUSON 3503
Engine	<i>type</i>	Perkins Tier4f
Engine power	<i>kW (hp)</i>	29.8 (39.9)
Undercarriage length	<i>mm - ft</i>	2.075 - 6.8
Width over tracks	<i>mm - ft</i>	1.620 - 5.3
Shoe width	<i>mm - in</i>	300 - 11.8
HYDRAULIC SYSTEM		
Main pump	<i>l/min</i>	89
Auxiliary pump	<i>l/min</i>	25
Hydraulic pressure	<i>bar</i>	240
MAST		
Forward inclination	<i>deg</i>	7.5
Backward inclination	<i>deg</i>	3.5
Lateral inclination	<i>deg</i>	0 ÷ 15
Mast vertical stroke	<i>mm - ft</i>	900 - 3
ROTARY		
Nominal torque	<i>kNm - lbf ft</i>	8 - 5.900
Drilling speed	<i>rpm</i>	20 ÷ 40
Spin off speed	<i>rpm</i>	40
WINCHES		
Main winch line pull	<i>kN - lbf</i>	15 - 3.400
Aux winch line pull	<i>kN - lbf</i>	6 - 1.350
CROWD SYSTEM		
Pull down force	<i>kN - lbf</i>	25 - 5.600
Extraction force	<i>kN - lbf</i>	40 - 9.000
EXCAVATION		
Max pile diameter	<i>mm - in</i>	600 - 24
Max pile depth	<i>m - ft</i>	12- 40
Min working height	<i>mm - ft</i>	2.800 - 9.2
TRANSPORT		
Length	<i>mm - ft</i>	3.430 - 11.25
Width	<i>mm - ft</i>	1.620 - 5.3
Height	<i>mm - ft</i>	2.540 - 8.3
Weight	<i>kg - lbs</i>	4.300 - 9.480

Technical Specifications are subject to change without prior notice.





Via Campoceraso 13 - 60027 OSIMO (AN) ITALY

Tel: +39 0717131953 - Fax: +39 071715199
geax.it - info@geax.it